

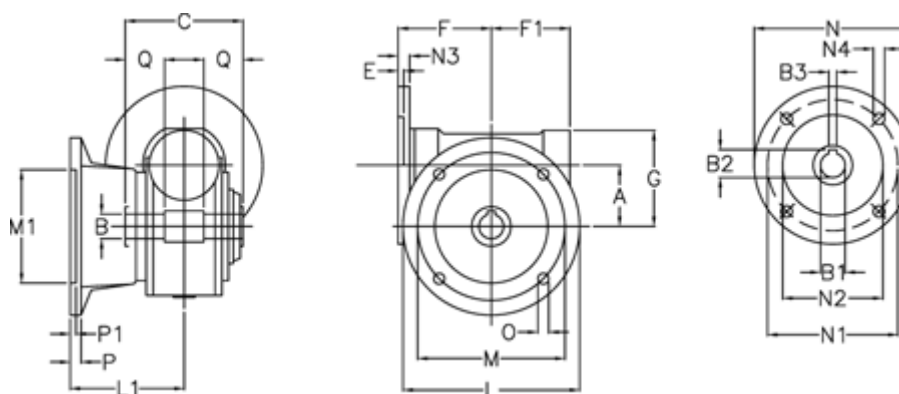
Data Sheet



Article number: 3918049100422

Description: Worm gear with st. steel hollow shaft
VF 49 EP-F1-100- 63B5

Measures



A	= 49.5	F1	= 63	N2	= 95
B	= 25	G	= 80	N3	= 10.5
B1 E7	= 11	L	= 125	N4	= 9.5
B2	= 12.8	L1	= 85.5	O	= 10.5
B3 H9	= 4	M	= 90	P	= 12
C	= 82	M1	= 70	P1	= 10
E	= 3.0	N	= 140	Q	= 22.5
F	= 70	N1	= 115		